



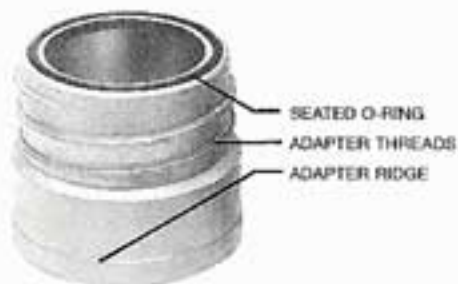
How to install  
bags with  
**Easo-  
Change**  
screw-on  
adapter.



**General Resource Corporation**

through its Air Purification Methods engineers

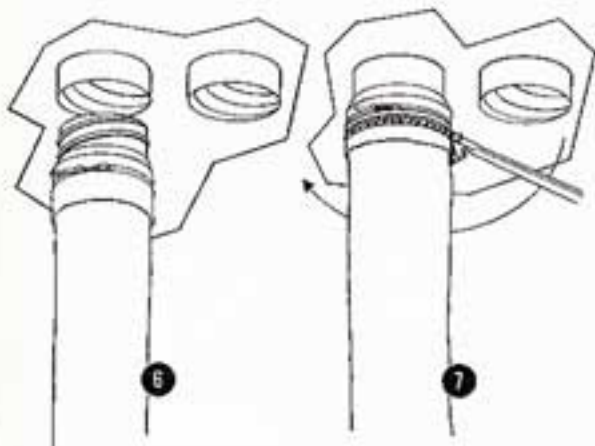
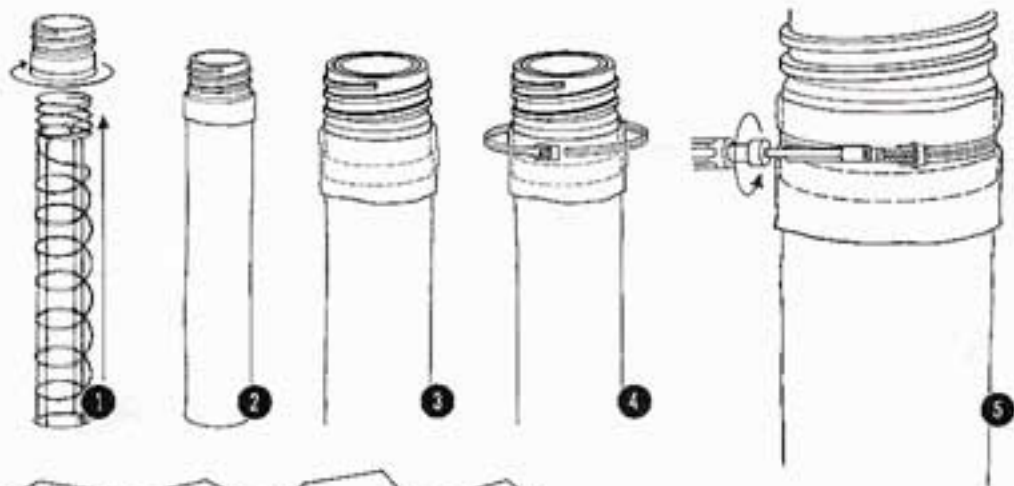
201 THIRD STREET SOUTH • HOPKINS, MINNESOTA 55343  
PHONE 612/833-7474 • TELEX 29-0382



Inspect wire cages and bags prior to use. Do not use cages which have offset wire threads or which are bent. Bags must hang straight, with two inches of clearance between them, when suspended in housing. Do not use torn, punctured, or badly soiled bags. Also make sure that an O-ring is seated in the adapter's top, which screws clockwise into underside of cage collar. Claim adjustments are made through our service department (812) 933-7474.

Required tools:  $\frac{3}{16}$  inch socket screw driver, and strap wrench.

All bag lengths are made with 3 inches of extra material which must be overlapped and made into a cuff. A bag clamp with a cam-action release is placed over the cuff and tightened snugly. The clamp, when secured, must rest above the ridge on the adapter's outer surface.



1. Wire cage threads twist on clockwise into adapter.
2. Make three inch cuff on bag. Pull bag over wire cage. Pull taut up over adapter base, covering ridge. Bag bottom, and cage bottom must be flush.
3. Cuff properly pulled up over adapter base. Bag clamp, when put around cuff and tightened snugly, must rest above the now covered adapter ridge.
4. Pull up on cam-action release of clamp. Slip loose strap end under release and pull tight. Now push down on cam-action release. Make sure the clamp is resting above the adapter ridge.
5. Tighten clamp screw snugly with socket screw driver. You are now ready to install bag assembly into underside of cage collar.
6. Adapter screws into cage collar clockwise. Hand tighten. Do not put too much stress on wire cage; they will bend.
7. Once hand tightened, use the strap wrench over the adapter to lock it in tightly to the cage collar.